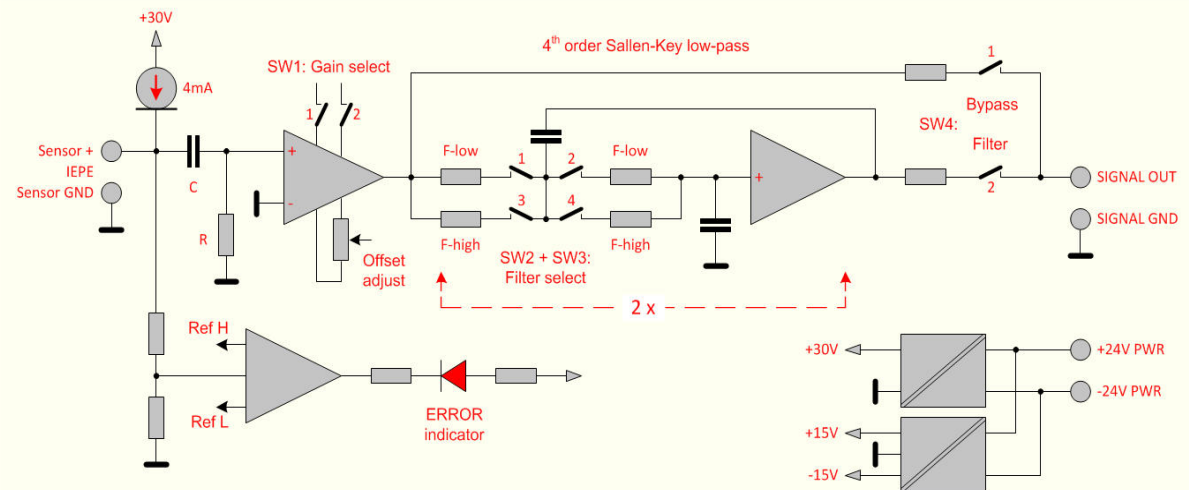


IEPE (ICP[®]) signal conditioning module ICP-DM5

EIGNER MESSTECHNIK
Augsburg · Germany

Single-channel IEPE excitation and amplifier for installation in control cabinets with 35 mm DIN rail mounting.

- Signal conditioner for every smart IEPE transducers
- I_{IEPE} excitation: constant current 4 mA @ 30 VDC
- Input signal range: 0 – ±10 V
- AC Bandwidth: 0.2 Hz – 20 kHz (-3dB)
- Amplifier with switchable amplification: 1 - 2 - 5 - 10 [V/V]
- Low pass filter Butterworth 4th order with two switchable cut-off frequencies, alternative bypass switch
- Power supply: 12 (9 – 18) or 24 (18 – 36) VDC, ca. 1.2 W
- Fault detection: LED ON for fault indication - open circuit or short to GND - indicated by external LED (I_{LED} approx. 3mA)
- Galvanic isolation of the measuring circuit from the 12/24 V control cabinet supply by means of electrically isolated DC / DC converters for IEPE and device supply



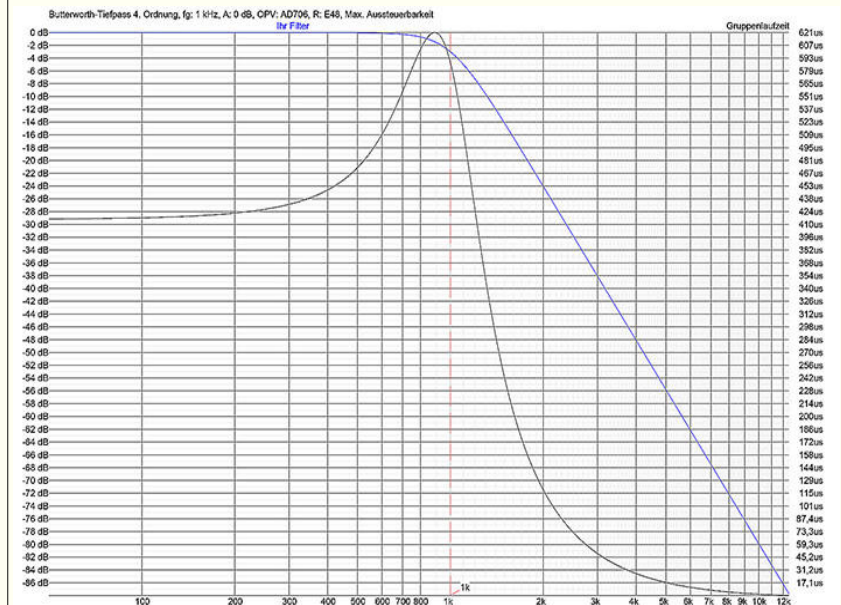
www.eigner-messtechnik.de info@eigner-messtechnik.de edition dated: 2017-05 ICP[®] reg. trademark of PCB Group Inc.



DIN rail housing with screw terminals



PCB mounting with position of the selector switches



Output low-pass filter Butterworth 4th order