

ICP EMULATOR I

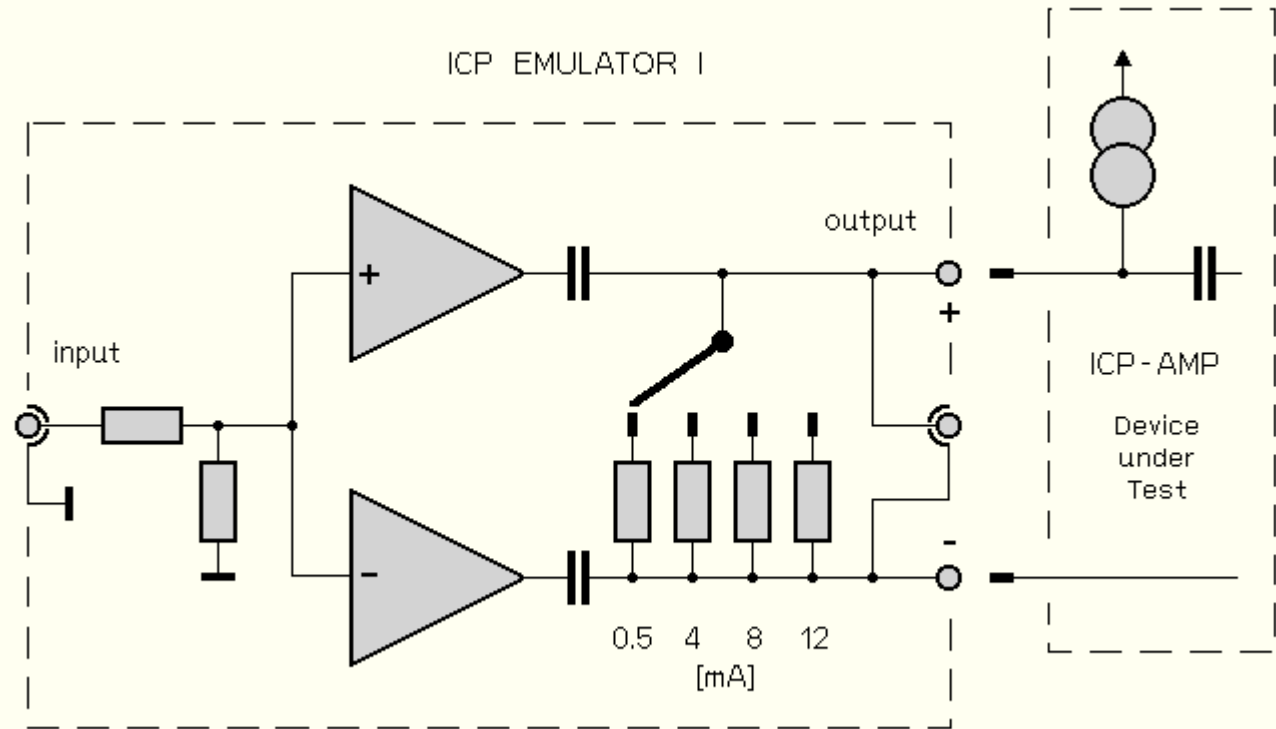
analog design

by EIGNER MESSTECHNIK®

Test control unit for ICP Amps

Features

- balanced signal design
- 4 switchable resistors for biasing constant currents of
 - 0.5 mA
 - 4 mA
 - 8 mA
 - 12 mA
- IEPE (ICP™) Transducer excitation
- AC bandwidth 0.3Hz - 25kHz (-3dB)
- gain = 1
- input/output range 0...+/-10V
- AC accuracy > 0.1%
- low-distortion audio design
- external power supply $\pm 15\text{VDC}$



Operation

- Connect the provided power supply to the 6-pin DIN power connector.
- Select the required excitation current at the rotary switch.
- Connect the IEPE (ICP™) amplifier (your Device under Test) to the output banana plugs or to the output BNC connector.
- Connect an AC signal source, i. e. a function generator, to the input BNC connector (input impedance 20kOhms).
- Watch the signal by scope at the input of your DuT using the output BNC connector.