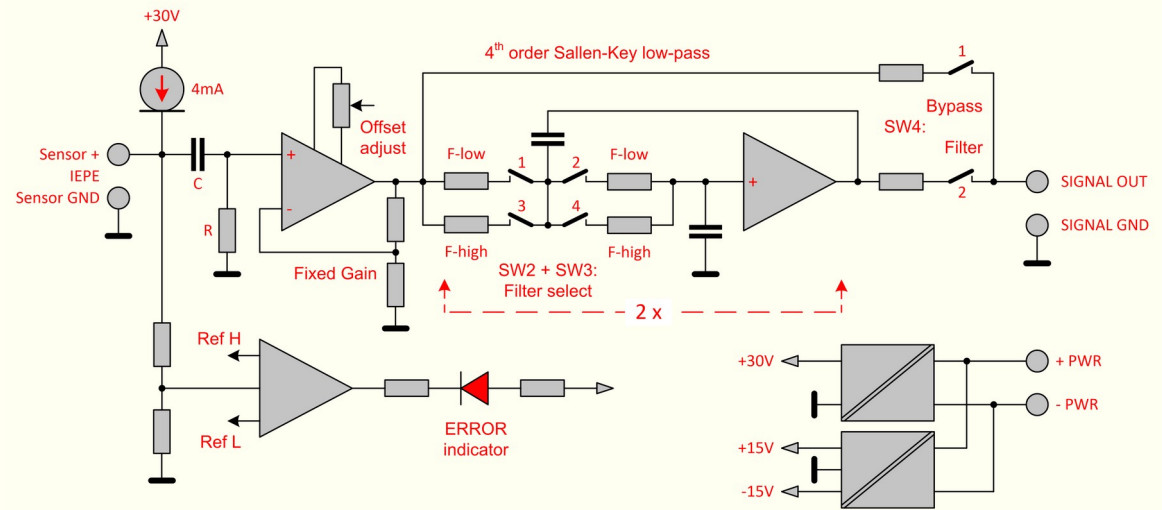


IEPE signal conditioning module IPE-DM5s

EIGNER MESSTECHNIK
Augsburg · Germany

Single-channel IEPE excitation and amplifier for installation in control cabinets with 35 mm DIN rail mounting.

- Signal conditioner for every smart IEPE transducers
- I_{IEPE} excitation: constant current 4 mA @ 30 VDC
- Input signal range: 0 to ± 10 V
- AC Bandwidth: 0.2 Hz to 20 kHz (-3dB)
- Amplifier with **fixed amplification**: 1 [V/V] (default), or as specified
- Low pass filter Butterworth 4th order with two switchable cut-off frequencies, alternative bypass switch
- Power supply: 12 (9 to 18) or 24 (18 to 36) VDC, approx. 1.2 W
- Fault detection: LED ON for fault indication - open circuit or short to GND - indicated by an LED on the top (I_{LED} approx. 3mA)
- Galvanic isolation of the measuring circuit from the 12/24 V control cabinet supply by means of electrically isolated DC / DC converters for IEPE and device supply



www.eigner-messtechnik.de info@eigner-messtechnik.de

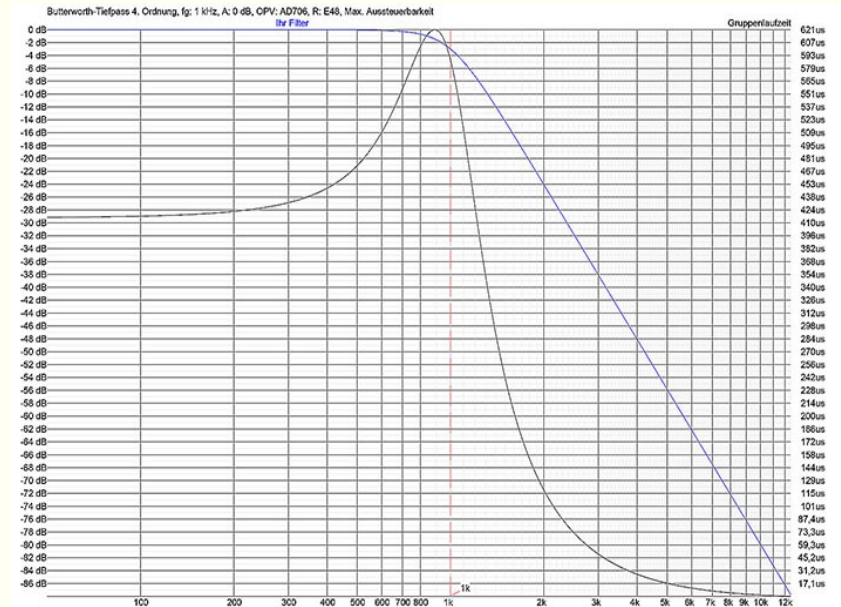
edition dated: 2021-09



DIN rail housing with screw terminals



PCB mounting with position of the selector switches



Output low-pass filter Butterworth 4th order